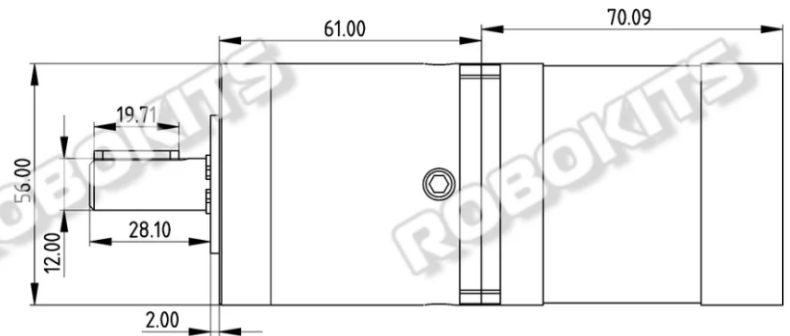
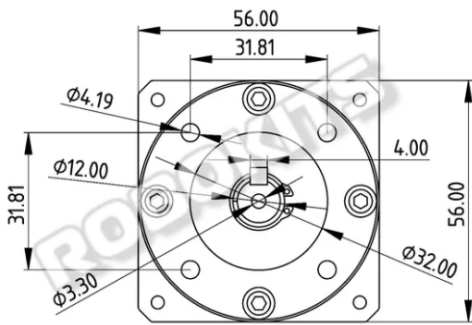


Model Number
RMCS-2072

NEMA23 PLANETARY GEARED BLDC MOTOR 30KGCM
250RPM 100W

Mechanical Drawing (Dimensions are in mm)



Motor Specifications

Parameter	Specification
Rated Torque	30 Kgcm
Rated Speed	250 RPM
Gear Ratio	1:13
Motor Length (Without Shaft & Gearbox)	87 mm
Gearbox Length (L)	49.5 mm
Shaft length	28 mm
Shaft Diameter	12 mm
Efficiency	0.81%
Input Voltage	24V DC
Input Current	Up to 10 A
Recommended Power Supply	240 W, 24 V, 10 A
Output Power	100 W
Weight	2 Kg

Number Of Poles	4	Motor Phase	U
Phase To Phase Resistance	0.44 Ohms	Motor Phase	V
No Load Speed	3800 Rpm	Motor Phase	W
No Load Current	1 Amps Max	Encoder Phase	U
Rated Torque	0.33 N-m	Encoder Phase	V
Rated Speed	3000 Rpm	Encoder Phase	W
Insulation Class	B	Encoder	VCC
		Encoder	Ground



RHINO